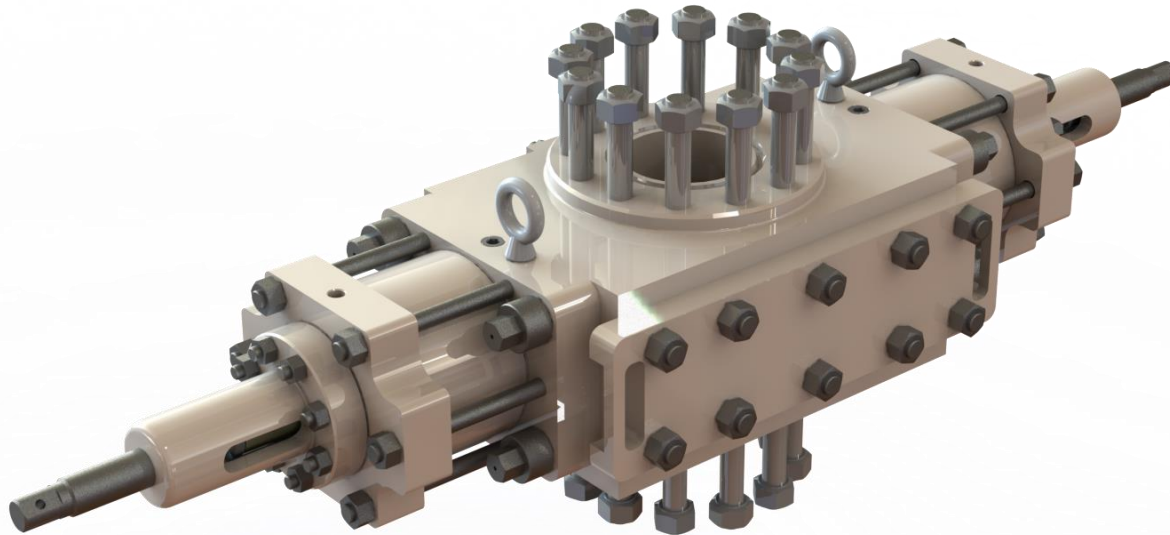




# TOWNSEND

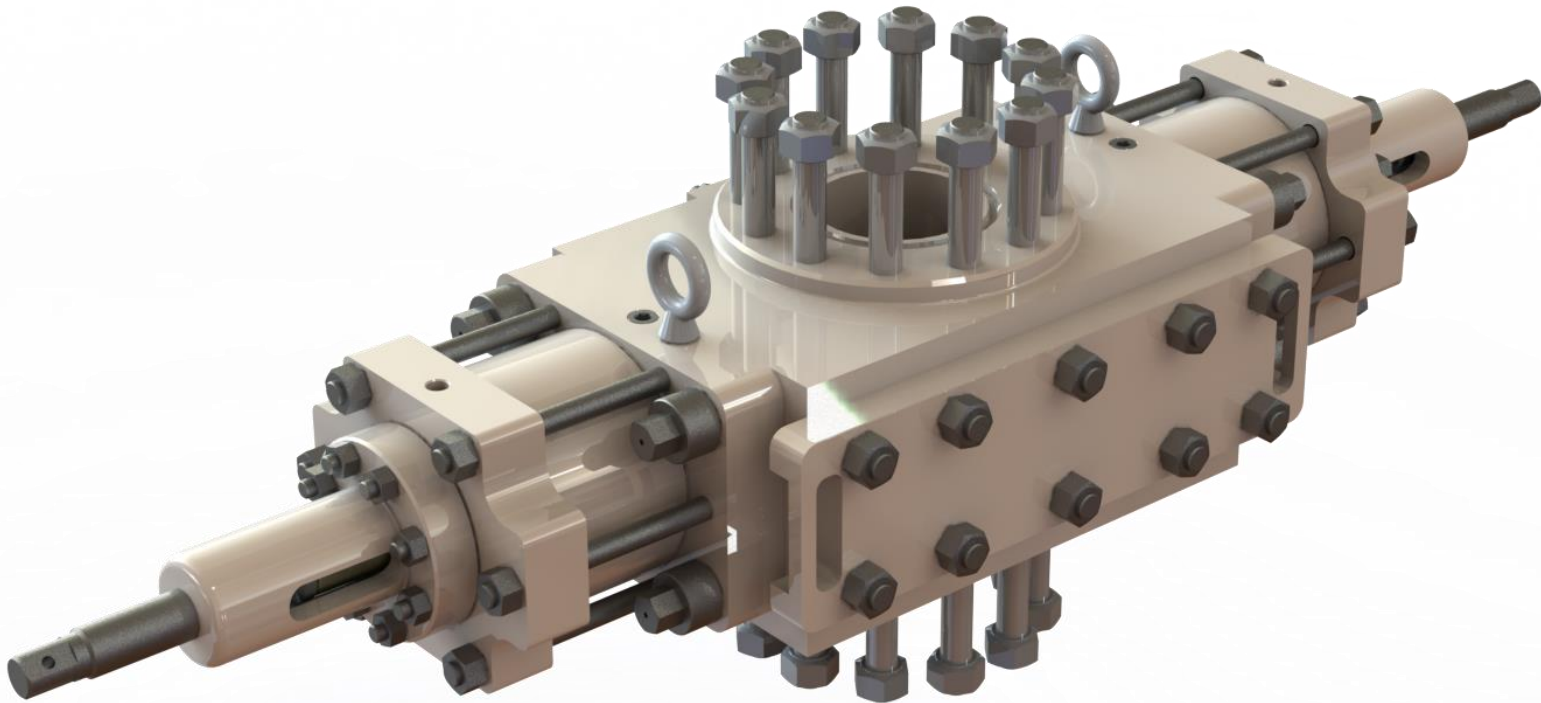
WELL CONTROL



TWCTS - 7-1/16" 5K Shear Capable BOP

**PATENT PENDING**

# TWCTS- 7-1/16" 5K Single Assembly



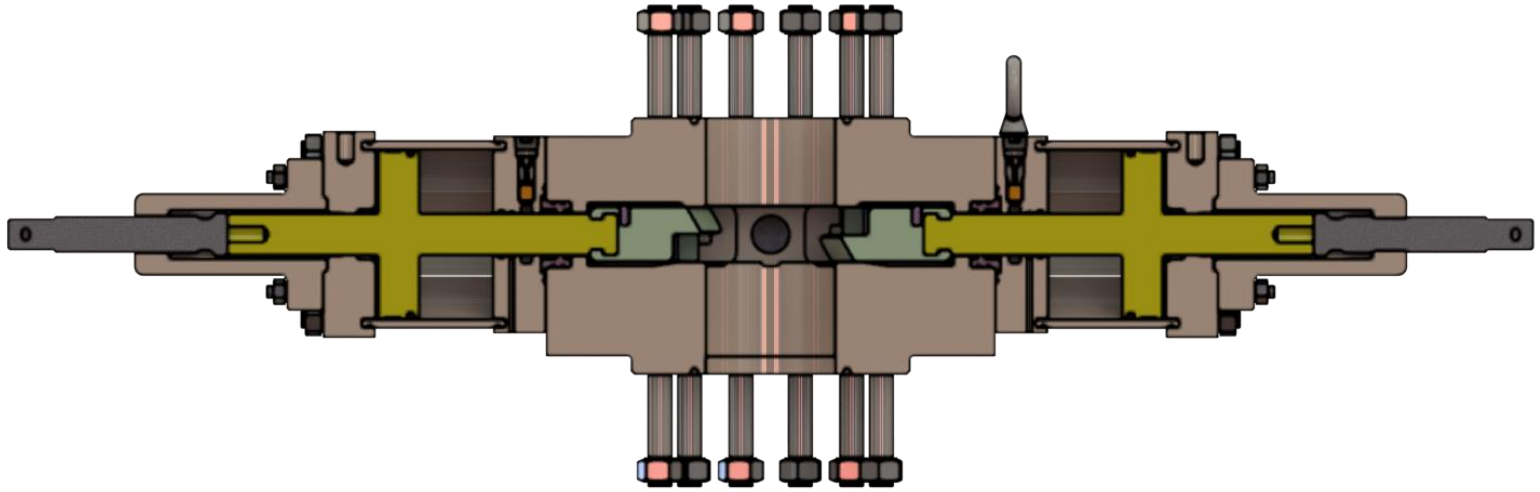
## Compliance to:

- API 16A (4<sup>th</sup> Ed)
- API Standard 53 (5<sup>th</sup> Ed)
- NACE MR 0175 (2015 Ed)

## Technical Details:

- PR-1
- Temp Rating: -20/250
- H2S compliant

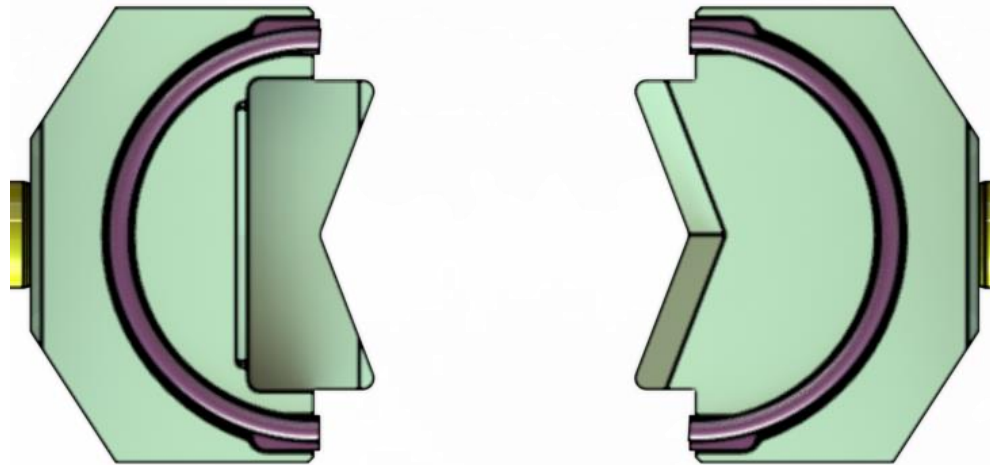
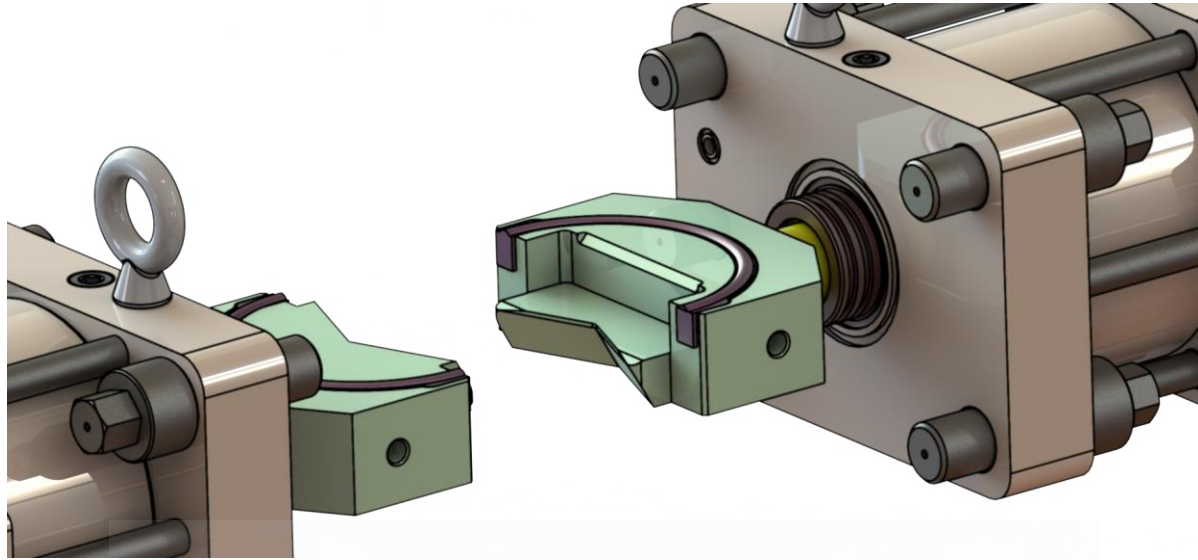
# TWCTS- 7-1/16" 5K Single Assembly



## Key Features:

- Weight: 2,118 lbs (lightest in industry)
- Height: 14 in (shortest in industry)
- No of comp: 18 pcs (fewest in industry)
- End assemblies fit on existing BOP's in use currently
- Secondary packing ports

# TWCTS- 7-1/16" 5K Ram Blocks



Unique Double "V" Ram Block Design

# TWCTS- 7-1/16" 5K Shear Capacity

Pipe Size	Weight (lb/ft)	Hydraulic Pressure (psi)	
		L-80	P-110
2-3/8	4.60	700	750
	5.8	1500	1800
	6.6	1710	1900
2-7/8	6.40	1000	1100
	7.80	1600	1900
	8.60	1900	2200
3-1/2	9.20	1700	1850



# TWC - Original Equipment Manufacturing

- American Sourced Metal manufactured in Texas
- Lowest rated hydraulic operating pressure required for shearing in the industry
- Eliminates the need for modifying closing units
- Most pipe can be sheared at standard operating pressure of 1,500 psi
- Shear End Assemblies capable to shear without boosters
- Boosters can be added to existing End Assemblies





# TOWNSEND

WELL CONTROL

## Contact us:

Townsend Well Control LLC

Corporate Headquarters Office

11633 Spring Cypress Rd, Tomball, TX, 77377, USA

Phone: +1 (713) 595-9800

E-mail: [sales@townsendwellcontrol.com](mailto:sales@townsendwellcontrol.com)

Web: [www.townsendwellcontrol.com](http://www.townsendwellcontrol.com)

Facebook: [www.facebook.com/Townsendwellcontrol](http://www.facebook.com/Townsendwellcontrol)